



## "Standard" Self-contained Hopper Loader SAL

SAL-360

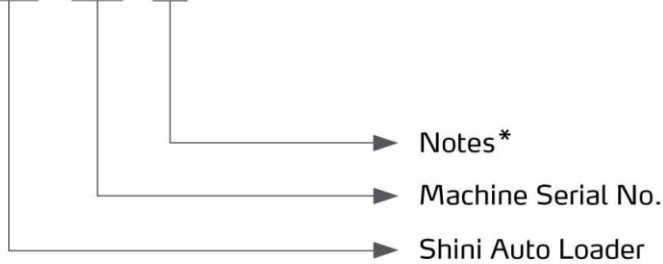


Refer carefully to this manual before operation.

# SAL Series

## ■ Coding Principle

SAL - xxx - xx



Notes: \*

P=For Polished Hopper Inside CE= CE Conformity

## ■ Features

### Standard configuration

- Stainless steel hopper, motor overload protective device.
- SAL-330E/360E is equipped with photosensor switch, suitable to directly mount on molding machine's feeding port.
- All the machines are equipped with hinged hopper lid except SAL-430 and SAL-460.
- All models has standard auto reverse cleaning kit and cloth mesh filter.
- SAL-430/460 has standard cloth mesh filter and motor reverse cleaning function.

### Accessory option

- For temporary storage of material, SCH-6L storage hopper is available for SAL-330/360.
- SPV-U is an option for SAL-330/360 (Including control cabinet).
- Buzzer is optional.
- Manual control switch is optional to deal with conditions that power supply is hard to manage when machine is installed at higher places.
- Quick mixing valve can be opted to work with proportional valve to enhance mixing effect.



SAL-460



Cloth Filter

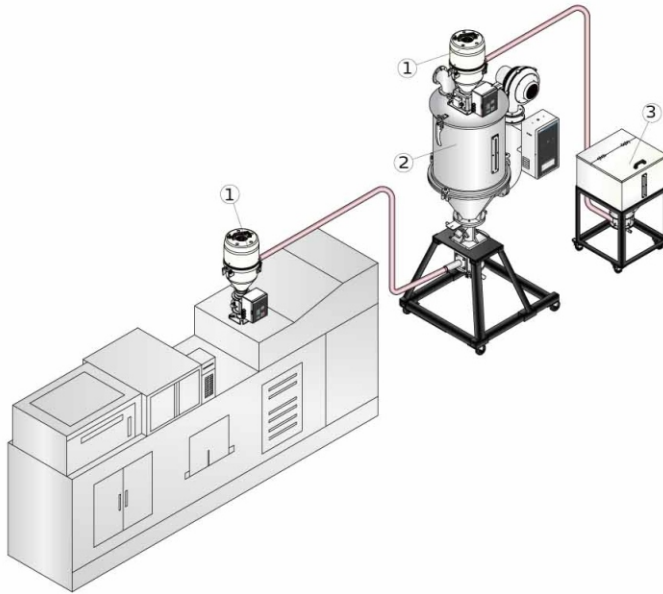


Reverse Cleaning Kit  
(SAL-330/360)



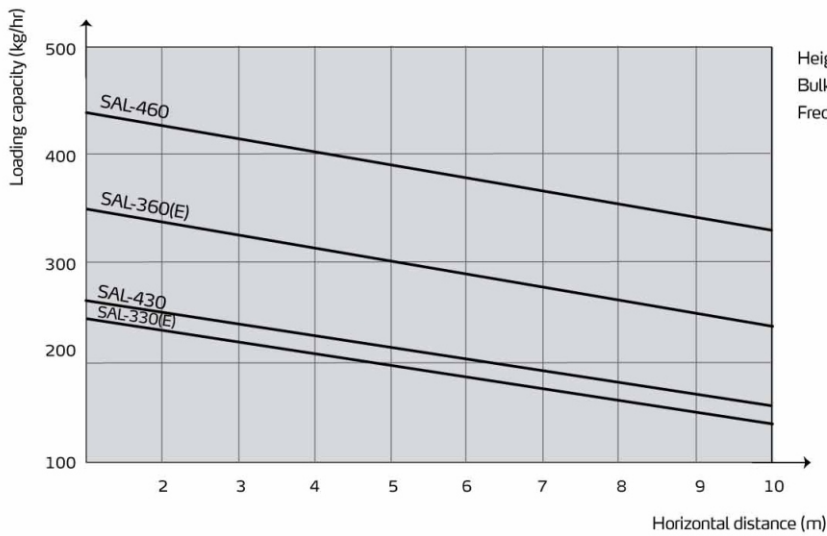
Control Panel

## Application



1. Auto loader
2. "Standard" hopper dryer
3. Material tank

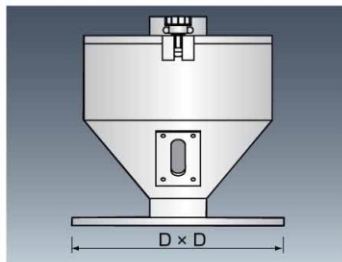
## Loading Capacity



## Options



SPV-U

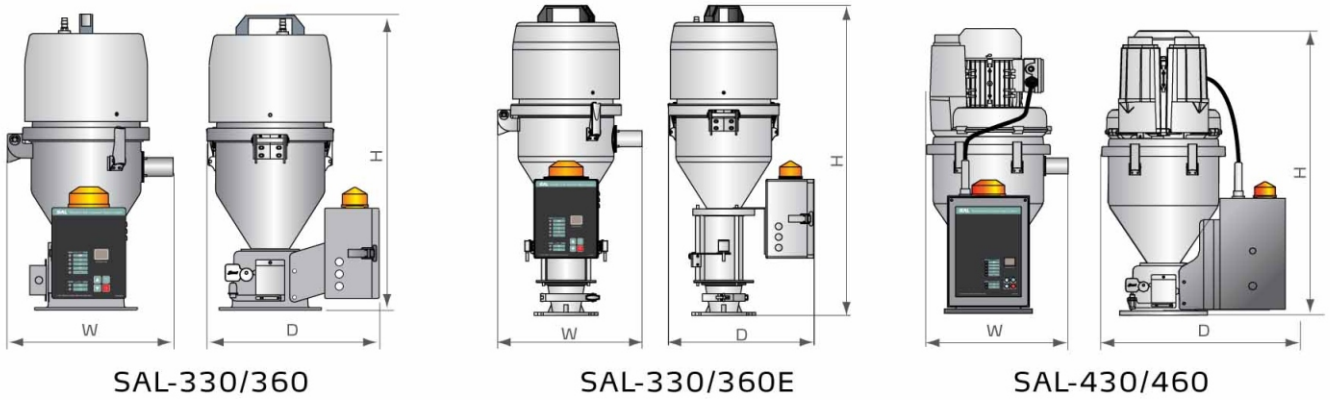


Storage Collective Hopper

Model	Dimension (mm)				
	Capacity (L)	L	W	H	D × D
SCH-6L	6	270	285	265	270×270

# SAL Series

## Outline Drawings



## Specifications

Model	SAL-330	SAL-330E	SAL-360	SAL-360E	SAL-430	SAL-460
Blower Type	Carbon brush	Carbon brush	Carbon brush	Carbon brush	Inductive	Inductive
Motor Power (kW, 50/60Hz)	1.15/1.32	1.15/1.32	1.15/1.32	1.15/1.32	0.37/0.42	0.75/0.85
Conveying Pipe Dia. (inch)	1.5	1.5	1.5	1.5	1.5	1.5
Conveying Capacity (kg/hr, 60Hz)	200	200	300	300	200	300
Hopper Capacity (L)	3	3	6	6	3	6
Input Voltage	1 $\Phi$ , 115/230VAC, 50/60Hz				3 $\Phi$ , 230/400/460/575VAC, 50/60Hz	
Material Level Control	Microswitch	Photosensor	Microswitch	Photosensor	Microswitch	Microswitch
Cloth Filter	Standard	Standard	Standard	Standard	Standard	Standard
Auto-Cleaning Function	Standard	Standard	Standard	Standard	Standard	Standard
<b>Dimensions</b>						
H (mm)	595	730	670	790	660	735
W (mm)	345	345	385	385	310	350
D (mm)	355	345	380	380	430	455
Weight (kg)	13	14	14	15	23	26

Notes: 1) For polished hopper inside ones, add "P" at the end of the model code.

2) Test condition of conveying capacity: Plastic material of bulk density 0.65kg/L, dia. 3~5 mm, vertical conveying height: 4m, horizontal conveying distance: 1m.

We reserve the right to change specifications without prior notice.

## Shini Group

Addr.: No. 23, Minhe St., Shulin Dist.,  
New Taipei, Taiwan

Tel: +886 2 2680 9119

Fax: +886 2 2680 9229

Email: [shini@shini.com](mailto:shini@shini.com)

## Factories:

- Taiwan
- Dongguan
- Pinghu
- Ningbo
- Mumbai

2015-01-15-04 Copyrights Reserved.

[www.shini.com](http://www.shini.com)